



DESIGN SUMMARY

DEVELOPMENT AREA

	Paving	41,712 S.F.
	Under Unit Paving	24,040 S.F.
	Landscape Area	8,295 S.F.
	Gravel Mulch / Stormwater Management Area	15,298 S.F.
	Trash Collection Center	665 S.F.
	Pet Relief Area	1,154 S.F.
	TOTAL SITE AREA:	91,164 S.F.

GENERAL SITE

	Community Room Unit	1
	Check-in Office Unit	1
	Security Staff Unit	1
	Proposed Trees	62
	Benches	33
	Picnic Tables	9
	Bike Racks	12
	Bioretention Area	2,283 S.F.

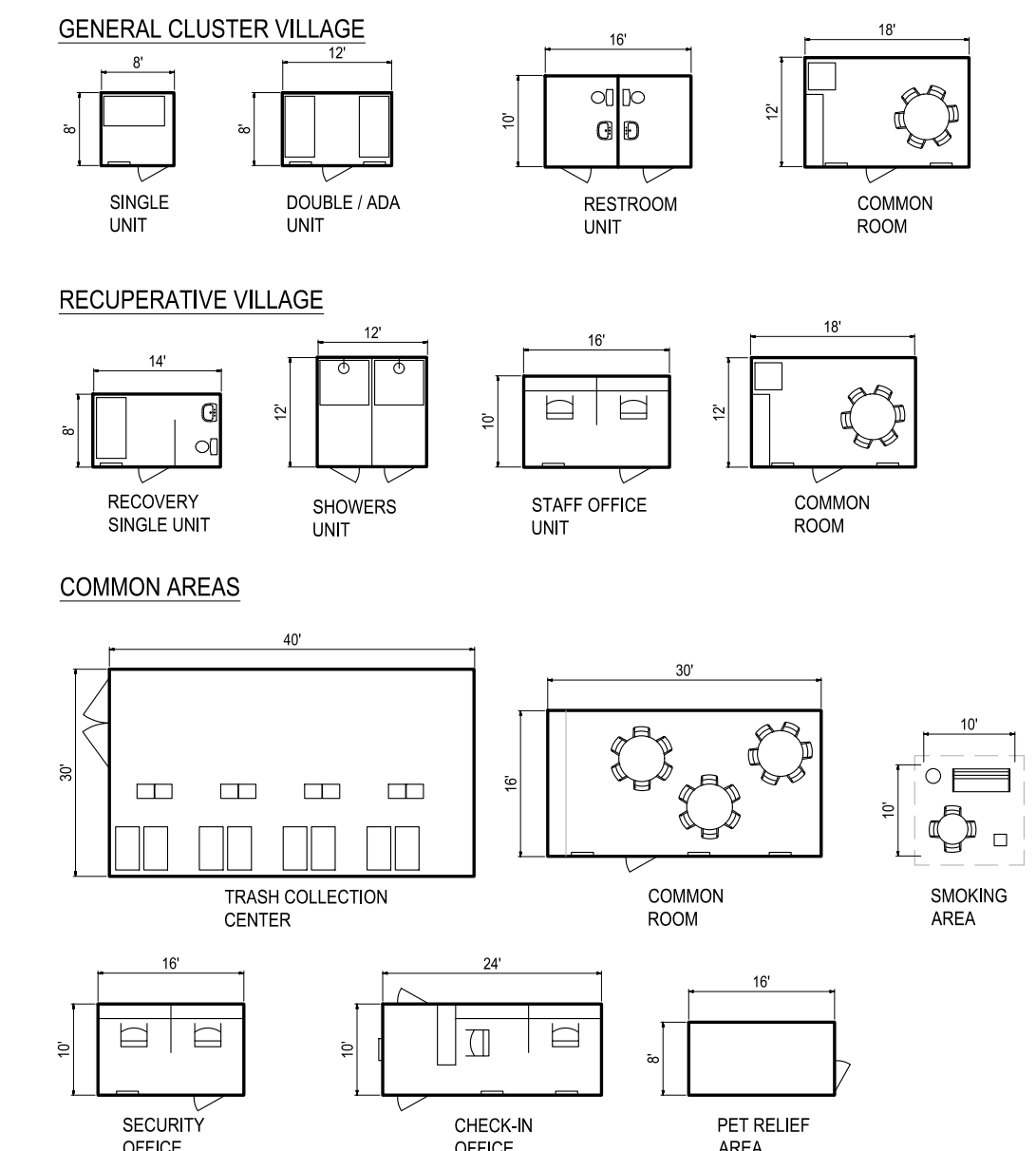
CLUSTER VILLAGE

	Double / ADA Units	94
	Single Units	93
	Common Room Units	6
	Restroom Units	6
	Shaded Smoking Areas	6
	Picnic Tables	6
	Benches	6
	Trash	6
	Ash Receptacle	6

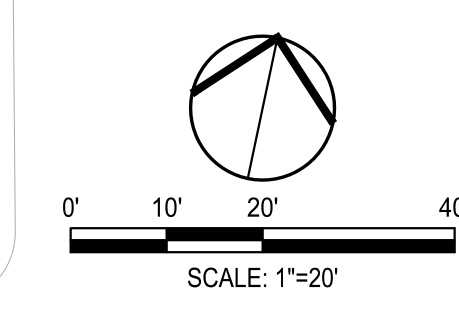
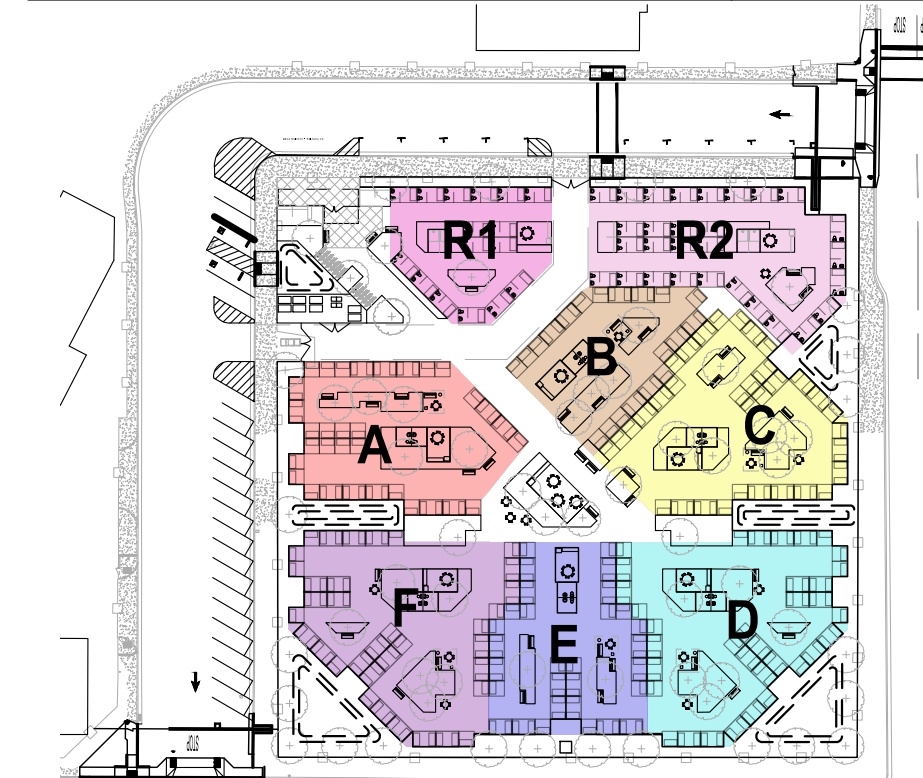
RECUPERATIVE VILLAGE

	Single Units (R1)	16
	Single Units (R2)	29
	TOTAL UNITS:	45
	Common Room Units	2
	Shower Units	2
	Staff Office Units	1

UNIT TYPICALS



VILLAGE CLUSTER AREAS



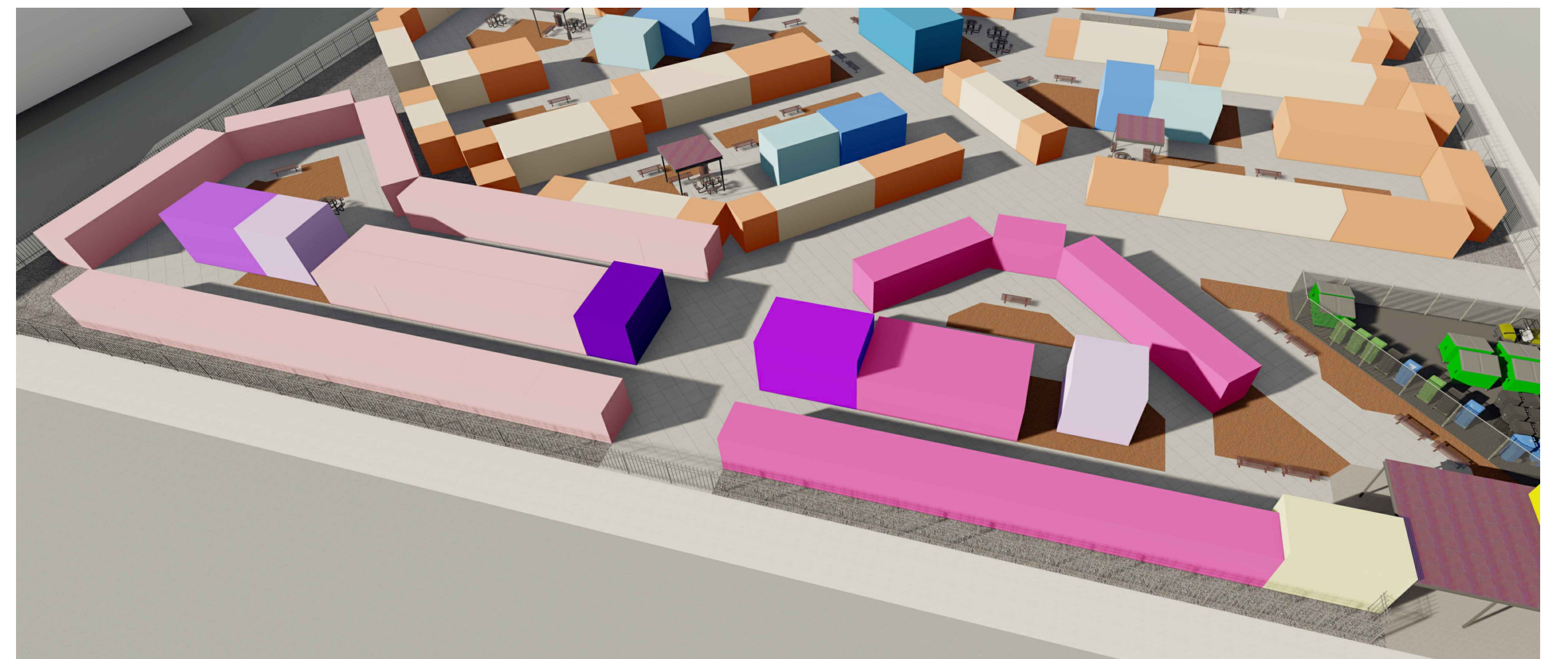
OVERALL SITE PLAN
ST. MARY'S DINING ROOM SAFE SHELTER MASTER PLAN
 Stockton, California



- DEVELOPMENT AREA**
- HARDSCAPE / PAVING
- LANDSCAPE AREA
- GRAVEL / STORMWATER MANAGEMENT AREA
- TRASH COLLECTION CENTER
- PET RELIEF AREA
- GENERAL SITE**
- COMMUNITY ROOM UNIT
- CHECK-IN OFFICE UNIT
- SECURITY STAFF UNIT
- CLUSTER VILLAGE**
- DOUBLE / ADA UNITS
- SINGLE UNITS
- COMMON ROOM UNITS
- RESTROOM UNITS
- RECUPERATIVE VILLAGE**
- SINGLE UNITS (R1)
- SINGLE UNITS (R2)
- COMMON ROOM UNITS
- SHOWER UNITS
- STAFF OFFICE UNITS

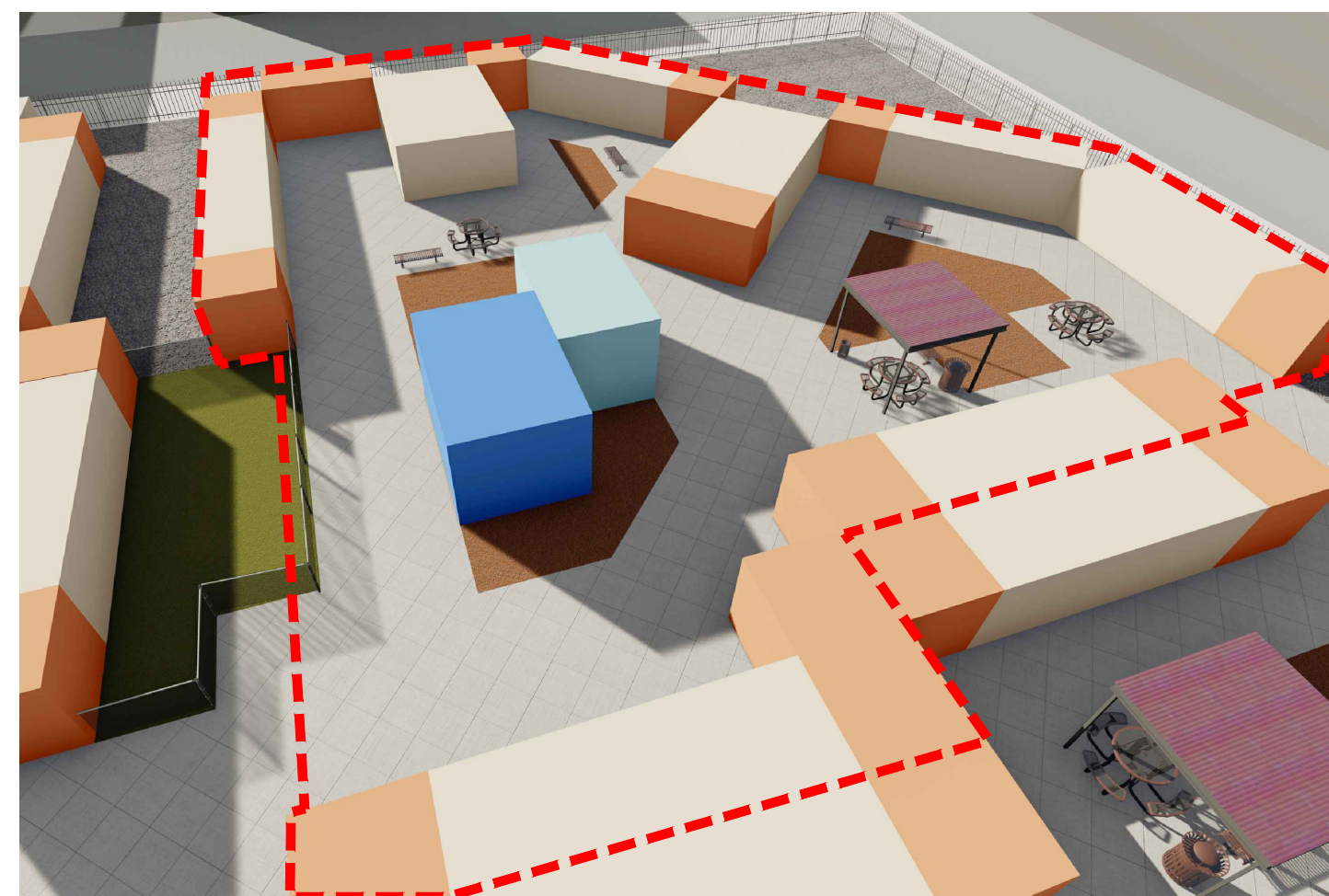


CHECK-IN SOUTHEAST VIEW



RECUPERATIVE VILLAGE

OVERALL SITE



TYPICAL CLUSTER VILLAGE



TYPICAL CLUSTER COMMON SEATING AREA



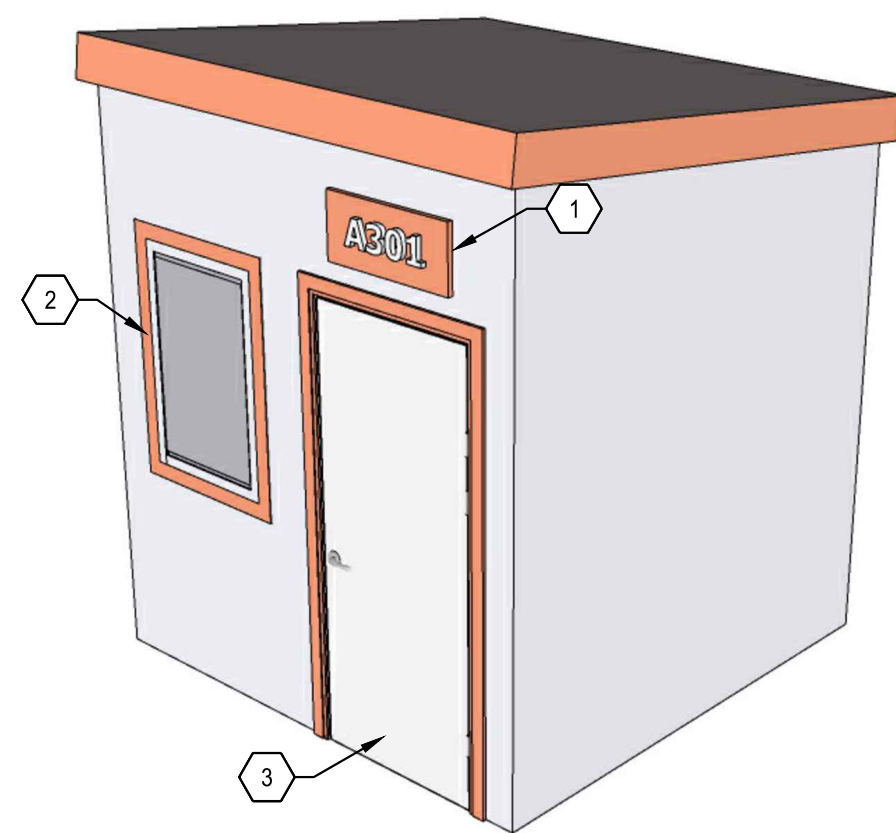
TYPICAL SMOKING AREA



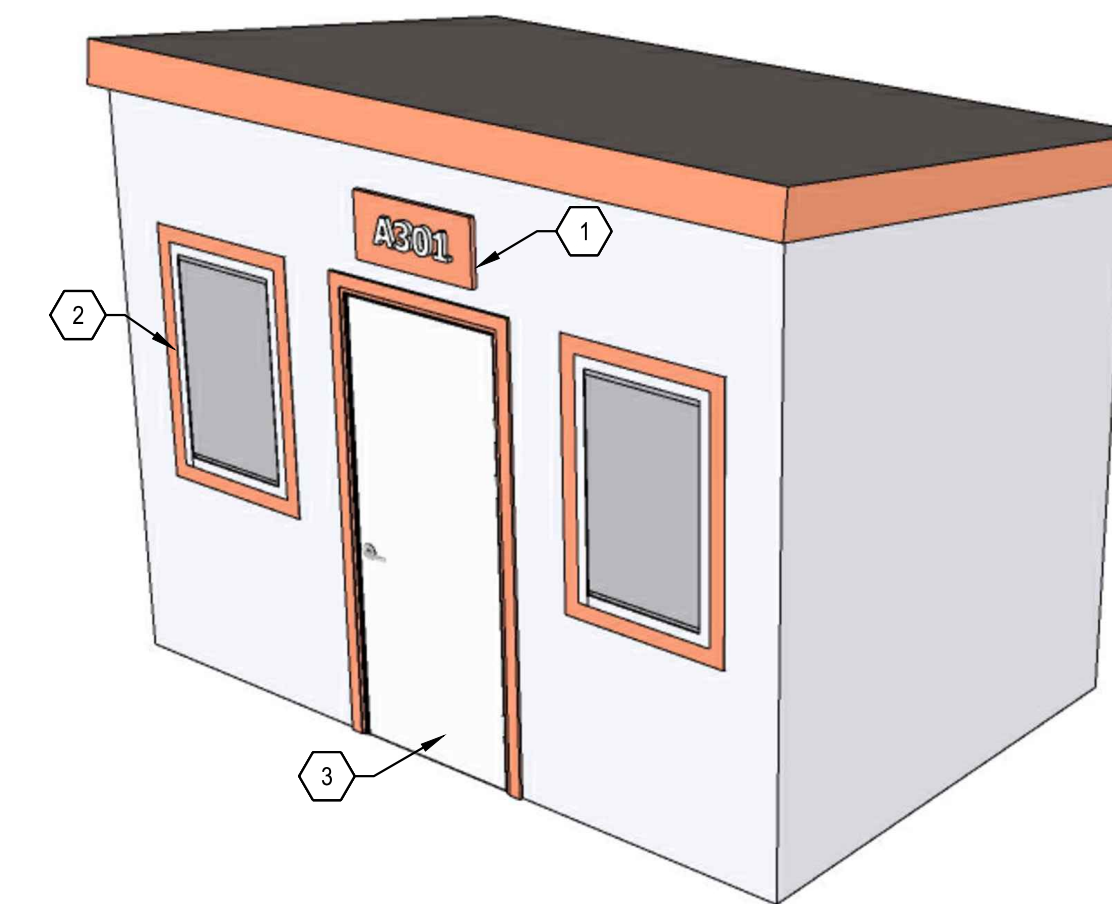
PET RELIEF AREA

02-16-2023

CONCEPTUAL ILLUSTRATIONS
ST. MARY'S DINING ROOM SAFE SHELTER MASTER PLAN
 Stockton, California



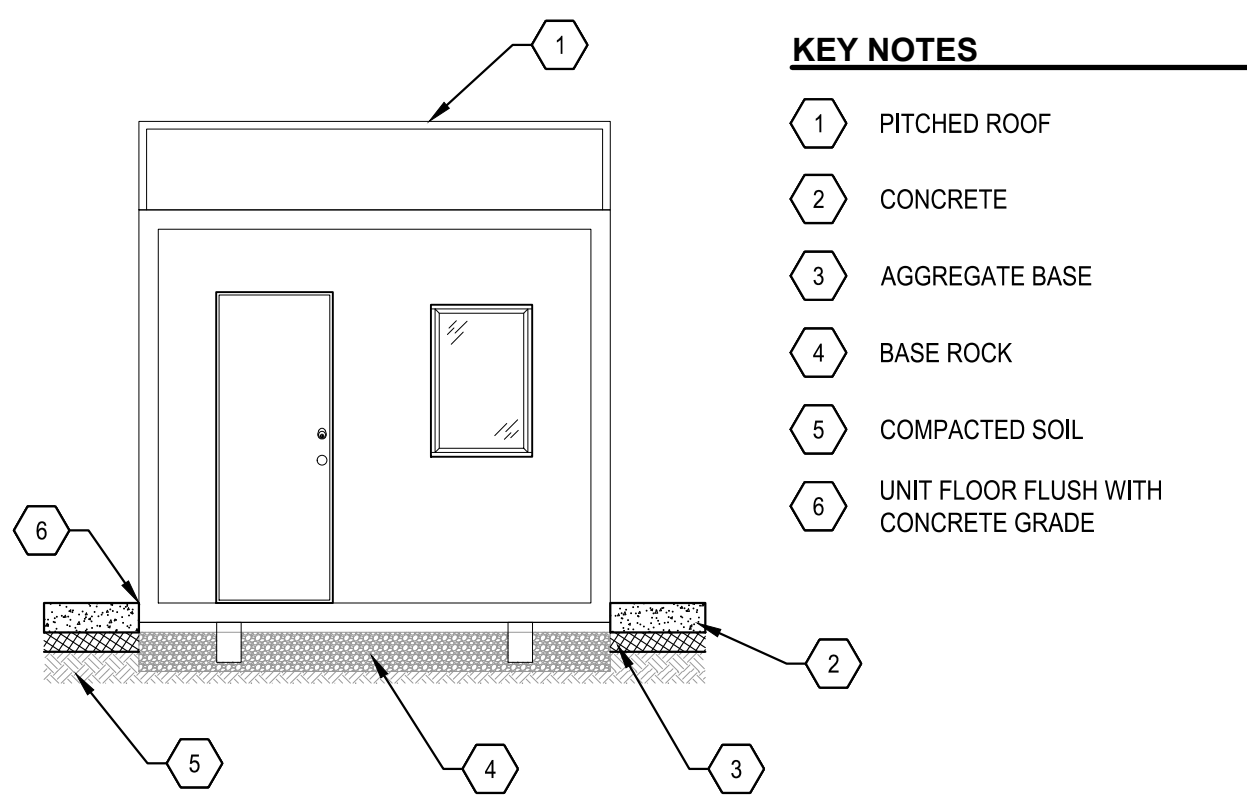
- KEY NOTES**
- 1 WAYFINDING: COLORED TRIM PER CLUSTER AREA
 - 2 TYPICAL WINDOW
 - 3 TYPICAL DOOR FLUSH AT GRADE ACCESS



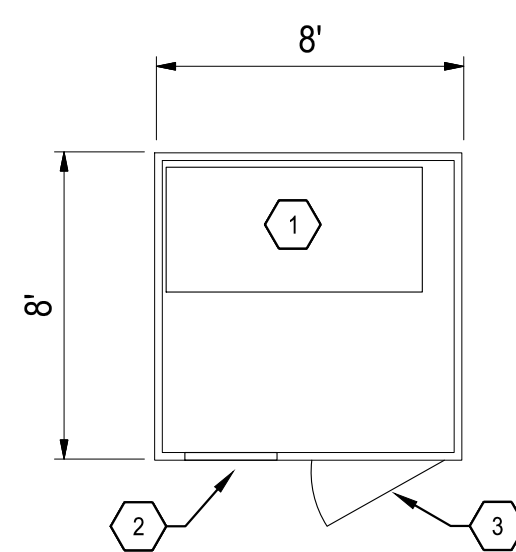
- KEY NOTES**
- 1 WAYFINDING: COLORED TRIM PER CLUSTER AREA
 - 2 TYPICAL WINDOW
 - 3 TYPICAL DOOR FLUSH AT GRADE ACCESS

B TYPICAL SINGLE UNIT - PERSPECTIVE

D TYPICAL DOUBLE UNIT - PERSPECTIVE



- KEY NOTES**
- 1 PITCHED ROOF
 - 2 CONCRETE
 - 3 AGGREGATE BASE
 - 4 BASE ROCK
 - 5 COMPACTED SOIL
 - 6 UNIT FLOOR FLUSH WITH CONCRETE GRADE

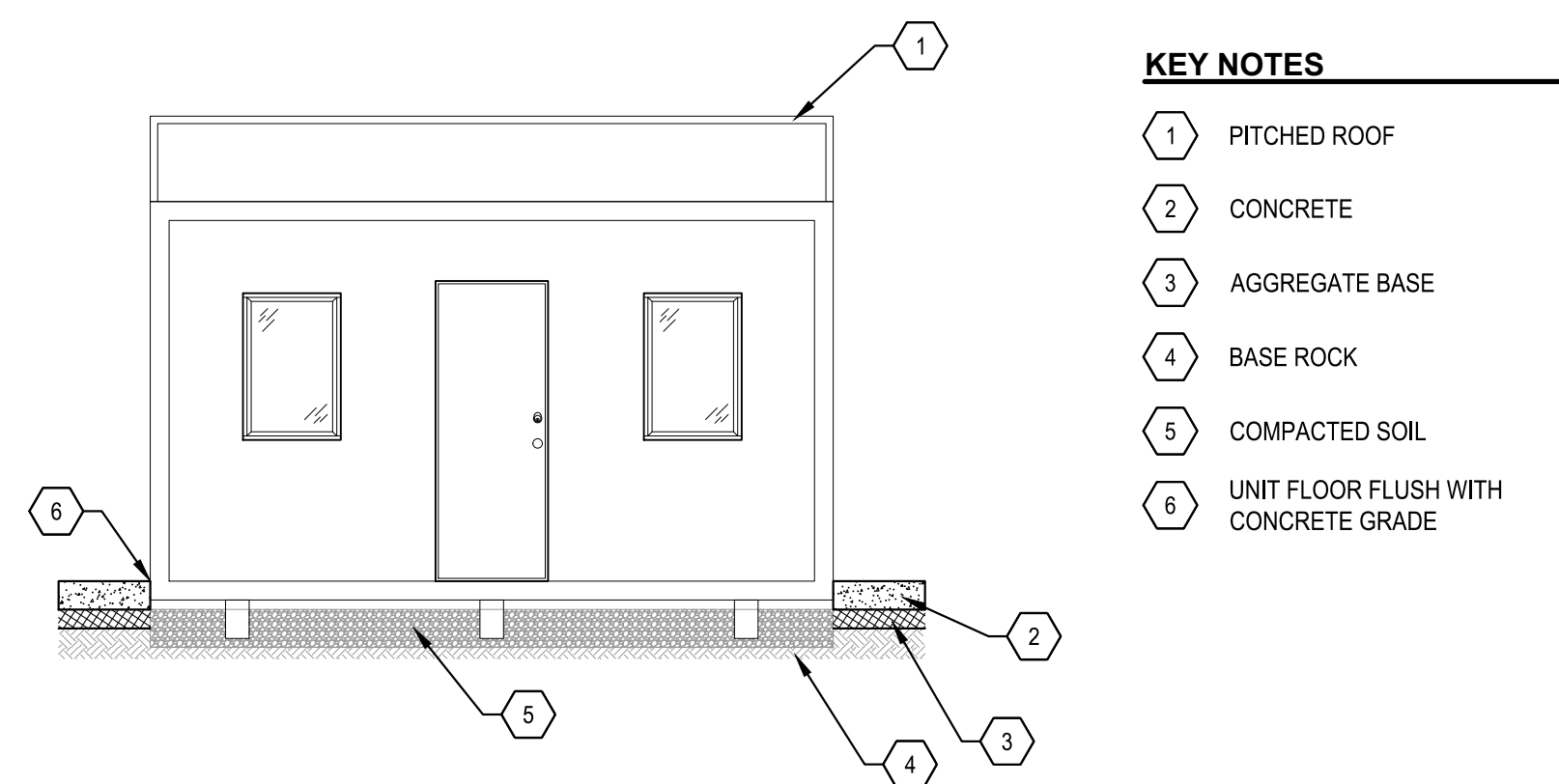


- KEY NOTES**
- 1 SINGLE TWIN SIZE BED
 - 2 TYPICAL WINDOW LOCATION
 - 3 TYPICAL DOOR LOCATION

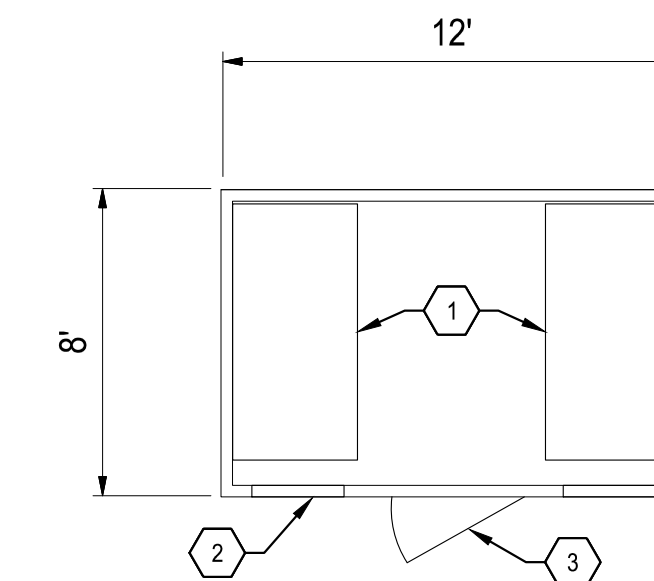
1 SECTION VIEW

2 PLAN VIEW

A CLUSTER - SINGLE UNIT



- KEY NOTES**
- 1 PITCHED ROOF
 - 2 CONCRETE
 - 3 AGGREGATE BASE
 - 4 BASE ROCK
 - 5 COMPACTED SOIL
 - 6 UNIT FLOOR FLUSH WITH CONCRETE GRADE



- KEY NOTES**
- 1 TWIN SIZE BEDS
 - 2 TYPICAL WINDOW LOCATION
 - 3 TYPICAL DOOR LOCATION

1 SECTION VIEW

2 PLAN VIEW

C CLUSTER - DOUBLE UNIT

UNIT TYPICALS
 ST. MARY'S DINING ROOM SAFE SHELTER MASTER PLAN
 Stockton, California